

1/5TH Scale 2WD/HWD Gasoline Power R/C Off-Road Buggy

Specifications:

LENGTH	WIDTH	HEIGHT	WHEEL BASE	DRIVE SYSTEM	GROUND CLEARANCE	DIAMETER OF WHEEL	WIDTH OF WHEEL	GEAR RATIO	STEERING SERVO	THRUSTLE SERVO
825mm	480mm	270mm	610mm	2WD/HWD Shaft Drive	55mm	176mm(F) 170mm(R)	65mm(F) 75mm(R)	1:9.6	20/30kg	15kg

Spare Part

50004-Front Lower Suspension Arm	50005-Rear Lower Suspension Arm	50055-Rear Upper Suspension Arms	54028-Front Upper Suspension Arm	54008-Front Upper Top Plate /Post
51006-Front Bumper	54006-Front Shock Tower	54007-Rear Shock Tower	50030-Centre Dogbone Joint Cup	50031-Diff. Joint Cups (54023)
050009-Universal Drive Joint (Steel)	50010-Center Diff. Mount	50011-Centre Diff. Mount Set	50020-Radio Tray	50013-Steering Mount (L/R)
50059-Rear Hub Carrier	50014-Steering Mount B	50012-Servo Saver/Steering Complete	50046-Servo Mount (L/R)	50117-Servo Mount(L/R) 50117/50118 can be used On FUTABA/SANWA/HITECH/KO Brand Steering&Throttle Servo
50019-Servo Top Mount	54019-Servo Horn And Throttle Linkage Set (For Single Servo Only)	54083-Servo Horn And Throttle Linkage Set (2WD Only)	50006-Battery/Receiver Case	54001-Chassis
54025-Side Guards	54014-Top Plate	54012-Rear Reinforcement Plate	54016-Brace A	54017-Brace B

Spare Part

50007-Gear Box	50066-Diff. Gear Cover	50064-Front/Rear Diff. Shell Set	50075-Centre Diff. Gear Set	50067-Front/Rear Diff. Gear Set
50033-Center Diff. Shaft+Washers	50072-Front/Rear Drive Pinion 11T (Old)	50071-Front /Rear Crown Gear 33T (Old) For 50072 Only	50214-Made In Taiwan Steel Front /Rear Drive Pinion 11T (New)	50213-Made In Taiwan Steel Front /Rear Crown Gear 33T (New) For 50214 Only
50074-Diff. Drive Pinion (10T)	50073-Diff. Crown Gear (30T)	51005- Gear(29T)	51004- Gear(31T)	52028-Gear(26T)
52027-Gear(24T)	07186-Powder Steel Gear (29T) (Optional)	07185-Powder Steel Gear (31T) (Optional)	07187-Powder Steel Gear (26T) (Optional)	07189-Powder Steel Gear (24T) (Optional)
54090-Powder Steel Gear(29T/31T/26T/24T) (Optional)	50029-Clutch Bell Bush	54009-Fuel Tank(700CC) (2WD Only)	50018-Fuel Pipes	25000-Engine 25CC
54026-Exhaust pipe+Silicone Joint Tubing	50053-Glow Plug	54024-Brake Cam Set	50023-Brake Discs+ Pads+Pins	50022- Spacer+ Countersunk Screw (For Engine) 5*25mm 9mm
50024-Diff First Way Shaft +Second Way Shaft	50025-Wheel Mount+ Nut+Shaft(Rear)	54018-Wheel Hex/Nuts (Front)	54010-Fuel Tank Post W/E-Clips(82832)	54015-Brace Post

Spare Part

50203-Cap Head Hex. Mechanical Screw(3*5) 8P	50103-Cap Head Hex. Mechanical Screw(4*15) 8P	50104-Cap Head Hex. Mechanical Screw(4*25) 4P	50093-Column Head Hex. Self-tapping Screw (3*10) 12P	50202-Column Head Hex. Mechanical Screw (3*16) 12P
50096-Column Head Hex. Mechanical Screw (5*30) 4P	50097-Column Head Hex. Mechanical Screw (5*35) 6P	50098-Column Head Hex. Mechanical Screw (6*25) 8P	50099-Column Head Hex. Mechanical Screw (6*40) 4P	50095-Column Head Hex. Mechanical Screw (4*30) 4P
54027-Column Head Hex. Mechanical Screw (4*16) 4P	54032-Column Head Hex. Mechanical Screw (5*25) 6P	50118-Servo Horn Optional	50210-Servo Horn Optional	50223-Servo Horn Optional

Manual Attachment(For 4WD Buggy only)

1/5th GP4WD Buggy  
Below Special Parts For 4WD Buggy. Other Parts Are In Common With Off-Road 2WD Buggy

54070-Servo Saver/Steering Complete	54036-Steering Mount	54037-Fuel Tank	54038-Receiver Case	54039-Center Front Dogbones 170mm
54040-Center Dogbones 90mm	54080-Servo Link	50030-Centre Dogbone Joint Cup	50031-Diff. Joint Cups (54023)	50025-Wheel Mount+ Nut+Shaft(Rear)
50045-Ball Bearing (26*10*8)	50072-Front/Rear Drive Pinion 11T (Old)	50071-Front /Rear Crown Gear 33T (Old) For 50072 Only	50214-Made In Taiwan Steel Front/Rear Drive Pinion 11T (New)	50213-Made In Taiwan Steel Front /Rear Crown Gear 33T (New) For 50214 Only
50064-Front/Rear Diff. Shell Set	50067-Front/Rear Diff. Gear Set			

Upgradable Optional

054001-Front Lower Suspension Arm(AL.)	054002-Rear Lower Suspension Arm(AL.)	054003-Center Diff. Mount (AL.)	054004-Gear Mount (AL.)	051011-Front Upper Susp. Arm (AL.)
054006-Rear Upper Suspension Arm (AL.)	054007-Sus. Arm Short Holder(F/R)(Direct Hole)(AL.)	054008-Sus. Arm Long Holder (R)(Inside Bevel Hole)(AL.)	054009-Front Shock Absorber(Short)(AL.)	054010-Rear Shock Absorber (Long)(AL.)

Spare Part

50002-Front Shock Absorber(Short) (54002)	50003-Rear Shock Absorber(Long)	54013-Wing Mount	54021-Side Wing Post W/Wing Stay	54022-Body Posts
54020-New Style Wing +Wing Button	54030-Servo Link (2WD Only)	50049-Steering Link	50062-Front Sus. Arm Holder	50063-Rear Sus. Arm Holder
50060-Rear Anti-Squat Pad	50201-Buffer post (54029)	50038-Front/Rear Lower Arm Pins 6*94mm	50039-Rear Lower Arm Pins 6*61mm	50040-Rear Upper Arm Pins 6*45MM
50041-Front Lower Arm Pins 6*65mm	54011-Centre Dogbone 90MM	50050-Battery Charger (250 MA)	50051-Chargeable Battery Pack(6V 2500MA)	51021- Wheel Rim Complete (Front) (1*4)
51022-Tires Insert Sponge(Front)	51023-Pre-mounted tire Set (Front)	51001-Wheels Rim Complete(Rear)	51002-Tires+Insert Sponge(Rear)	51003-Wheels Complete(Rear)
54004-Roll Cage (Unassemble)	54005-Roll Cage Light Cover(L/R)	50224-Air Filter	50225-Outside Air Filter Sponges	50226-Inside Air Filter Sponges
50227-Inside/Outside Air Filter Sponges	81013-Body Clips	82832-Fuel Tank Clips	50043-Sus. Arm E- Clips Ø4*0.6mm	50044-Shock Tower Arm E-Clips Ø8*0.8mm

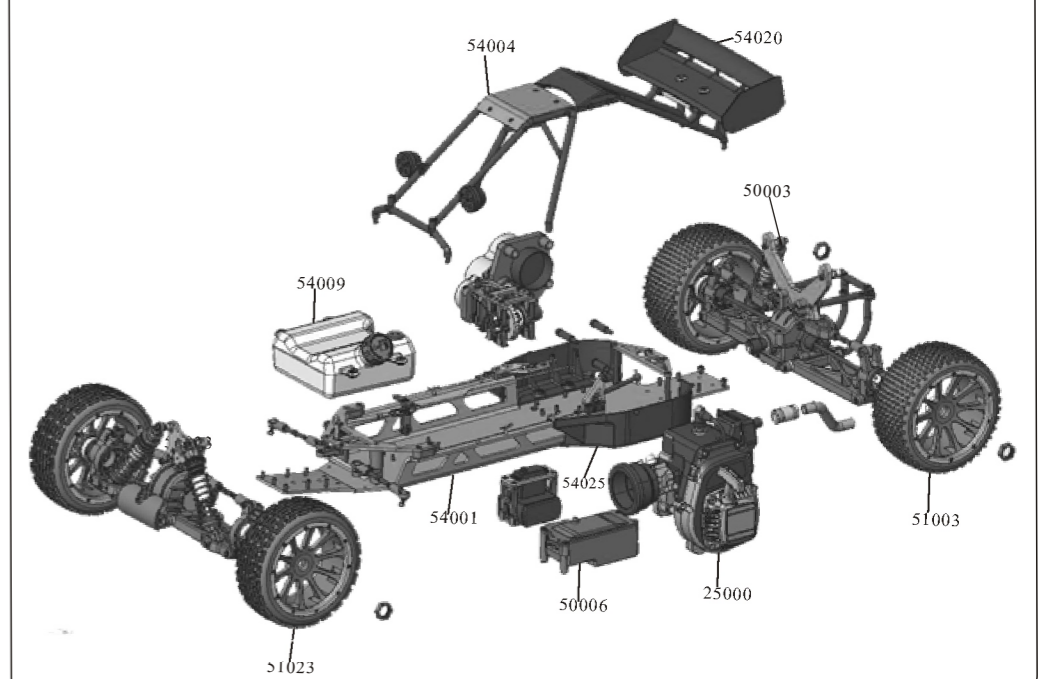
Spare Part

50112-Front Sus. Arm Ball Ø10mm	50113-Rear Sus. Arm Ball Ø11mm	50114-Servo Link Ball Ø8mm	50115-Steering Link Ball Ø10mm	50222-Shock Upper Ball
50045-Ball Bearing (26*10*8)	50068-Ball Bearing (22*10*7)	50069-Ball Bearing (24*12*6)	50070-Ball Bearing (22*8*7)	50076-First Way Gear Washer Ø 8*15*1.5mm
50077-Second Way Gear Washer Ø 6*12*1.5mm	50078-Servo Washers Ø3*8*0.8mm	02102-Nuts(M3) (54031)	02055-Nuts(M4) (50079)	50080-Nuts(M5)
50081-Nuts(M6)	50107-Hex Head Grub Screw(6*6) 8P	50108-Hex Head Grub Screw(5*5) 8P	02099-Hex Head Grub Screw(4*4) 10P	50110- Hex Head Grub Screw(3*3) 8P
50111-Hex Head Grub Screw(5*10) 4P	50084-Countersunk Head Hex. Mechanical Screw (4*12) 12P	50085-Countersunk Head Hex. Mechanical Screw (4*16) 12P	50086-Countersunk Head Hex. Mechanical Screw (4*20) 8P	50087-Countersunk Head Hex. Mechanical Screw (4*25) 8P
50088-Countersunk Head Hex. Mechanical Screw (5*12) 12P	50089-Countersunk Head Hex. Mechanical Screw (5*15) 12P	50090-Countersunk Head Hex. Mechanical Screw (5*18) 4P	50091-Countersunk Head Hex. Mechanical Screw (5*20) 8P	50092-Countersunk Head Hex. Mechanical Screw (5*25) 4P
50083-Countersunk Head Hex. Mechanical Screw (3*10) 4P	50100-Cap Head Hex. Mechanical Screw(3*10) 8P	50101-Cap Head Hex. Mechanical Screw(3*12) 12P	50106-Cap Head Hex. Mechanical Screw(5*15) 10P	50105-Cap Head Hex. Mechanical Screw(4*30) 4P

Upgradable Optional

054012-Servo Top Mount (AL.)	054013-Center Diff. Tray (AL.)	054014- (AL.)Rear Reinforcement Plate	054015-Front Upper Top Plate(AL.)	054016-Front Shock Tower (AL.)
054017-Rear Shock Tower(AL.)	054018-Steering Mount (AL.)	054019-Servo Saver/Steering Complete (AL.)	050005-Caster Mount (L/R) (AL.)	050007-Rear Hub Carrier (AL.)
054005-Steering Mount (L/R) (AL.)	050011-Servo Mount (L/R) (AL.)	054020-(Steel)Center Dogbone 90mm	050061-(Steel) Center Dogbone 125mm	050062-(Steel) Center Dogbone 172mm
054021-Fuel Tank Cover (AL)	050034-Engine Cover (AL.)	050033-Engine Recoil Star (AL.)	VX28000-Engine (28CCPRO)	050028-Air Filter (AL.)
050040-Air Filter	050031-Nuts(AL)	050029-Shock Absorber Protective Cap(AL)	050023-Servo Horn (AL.)	050120-Servo Horn (AL.) (Optional)
054700-Polished Exhaust Pipe(AL)	054201-Roll Cage(AL)			

Off-road Buggy Exploded Diagram



Step1:Diff. Shell Assembly

