

1/5TH 4WD Gasoline Desert Truggy

Specifications:

LENGTH	WIDTH	HEIGHT	WHEEL BASE	DRIVE SYSTEM	GROUND CLEARANCE	WHEEL DIAMETER	GEAR RATIO	STEERING SERVO	THROTTLE SERVO
815mm	458mm	295mm	500mm	4WD Shaft Drive	40mm	178mm	1:8.9	20/30kg	15kg

Spare Part

07413-Roll Cage A/B	07414-Roll Cage C	07415-Roll Cage D	07416-Roll Cage E	07417-Roll Cage F
07418-Roll Cage G	07419-Roll Cage H/I	07420-Roll Cage J	07422-Wing	07423-Front Shock Tower
07424-Rear Brace	07425-Shock Mount	07426- Mount	07409-Rear Wheel Axle	07427- Wheel Mount+ Nut+Shaft
07428-Universal Drive Joint	07429-Wheel Rims	07430-Tires+Insert Sponge(L/R)	07431-Wheels Complete (L/R)	07104-Front Lower Suspension Arm(L/R)
07105-Rear Lower Suspension Arm(L/R)	07112-Front Upper Suspension Arm(L/R)	07061-Front Bumper	07116-Front Upper Top Plate	07411-Side Guard(L/R) Old:07109
07113-Rear Top Plate	07117-Steering Mount (L/R)	07121-Steering Rocker	07127-Steering Mount (L/R)	07125-Radio Tray

Spare Part

07122-Diff.Mount Set	07123-Servo Set	70020-Servo Linkage	07370-Rear Upright (L/R)	07146-Centre Dogbone Joint Cup
07145-Diff.Joint Cups	07106-Steering Link	07107-Rear Upper Link	50006-Battery/Receiver Case	50051-Chargeable Battery Pack(6V 2500MA)
Engine(26CC - 30CC) (Optional)	07149-Engine Fix Post (AL.)	07128-Roll Cage	07114-Fuel Tank	07124-Fuel Tank Post
07101-Chassis	07129-Centre Diff.Mount	07167-Servo horn and Throttle Linkage Set	07102- Front Shock Absorber	07103- Rear Shock Absorber
50224-Air Filter	50225-Outside Air Filter Sponges	50226-Inside Air Filter Sponges	50227-Inside/Outside Air Filter Sponges	07412-Switch
07108-Gear Box	07118-Diff.Mount Set L/R	50066-Diff. Gear Cover	50075-Centre Diff. Gear Set	50064-Front/Rear Diff. Shell Set
50067-Front/Rear Diff. Gear Set	07166-Centre Diff. Shaft+Washers	51004-Diff. Gear(31T)	51005-Diff. Gear(29T)	50116-Diff.Gear(25T)

Spare Part

07170-Cap Head Mechanical Screw(4*16) 8P	07171-Cap Head Mechanical Screw(4*20) 8P	07172-Cap Head Mechanical Screw(4*35) 4P	07174-Cap Head Mechanical Screw(5*12) 10P	07183-Cap Head Mechanical Screw(5*28) 4P
07173-Cap Head Mechanical Screw(4*60) 4P	50118-Servo Horn	50210-Servo Horn		
	Optional	Optional		

Upgradable Optionals

710001-Center Diff. Mount	710002-Front Upper Sus. Arm	710003-Front Upper Top Plate	710032-(AL.) Rear Lower Suspension (L/R) +Suspension Tab	710033-(AL.) Front Lower Suspension (L/R) +Suspension Tab
710006-Rear Axle Mount	710007-Diff.Mount Set	710008-Servo Set	710009-Rear Top Plate	710010-Steering Mount (L/R)
710011-Steering Rocker	710013-Steering Moun (L/R)	710014-Roll Cage	710015-Front Shock Absorber(Short) (AL.)	710016-Rear Shock Absorber (Long)(AL.)
710017-Front Lower Sus. Arm Holder	710018-Rear Lower Sus. Arm Holder	710019-Front Lower Sus. Arm Holder	710023-Center Dogbone(AL.)	710024-Center Dogbone(AL.)

Upgradable Optionals

710028-Rear upper link (AL.)	050029-Shock Absorber Protective Cap (AL.)	050033-Engine Recoil Star (AL.)	050032-Fuel Tank Cover (AL.)	050028-Air Filter (AL.)
050023-Servo Horn (AL.)	050034-Engine Cover (AL.)			

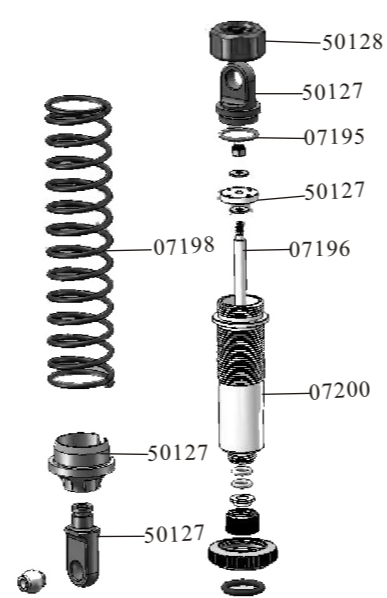
Spare Part

07185-Powder Steel Gear (31T) (Optional)	07186-Powder Steel Gear (29T) (Optional)	07188B-Powder Steel Gear (25T)(Thick) (Optional)	51030-Powder Steel Gear (29T/31T/25T-B*2) (Optional)	07148-Diff. Gear(11T) Steel
50074-Diff.Drive Pinion (10T)	07147-Diff. Gear(30T) Steel	50071-Front/Rear Crown Gear(33T)	07135-Gear Mount	07136-Wheel Mount
50022-Spacer+Countersunk Screw (For Engine)	50029-Clutch Bell Bush	50023-Brake Discs+ Pads+Pins	50037-Brake Cam Set	07130-Rear Lower Sus. Arm Holder (B)
07131-Rear Lower Sus. Arm Holder (C)	07132-Front Lower Sus. Arm Holder (A)	07142-Buffer Post	07141-Buffer Aluminium Mount	07157-Center Front Dogbones Length:152mm
07158-Center Rear Dogbones Length:162mm	07156-Rear Dogbones New Length:133mm Old Length:131mm	07180-Front Lower Sus. Arm Pins(Screw Thread) $\phi 5 \times 50.5$	07181-Rear Lower Sus. Arm Pins(Screw Thread) $\phi 5 \times 65$	50024-Diff.First Way Shaft +Second Way Shaft
07133-Front/Rear Lower Sus. Arm Pins $\phi 6 \times 90$	07134-Front Upper Sus. Arm Pins $\phi 6 \times 60$	07139-Front Stabilizer Bar	07126-Adjust Bushes (Centre)	07179-Adjust Bushes (Side)
81013-Body Clips 6P	50068-Ball Bearing (22*10*7)	07159-Bearing 19*10*5	85763-Bearing 16*8*5	50077-Second Way Gear Washer $\phi 6.2 \times 12 \times 1mm$

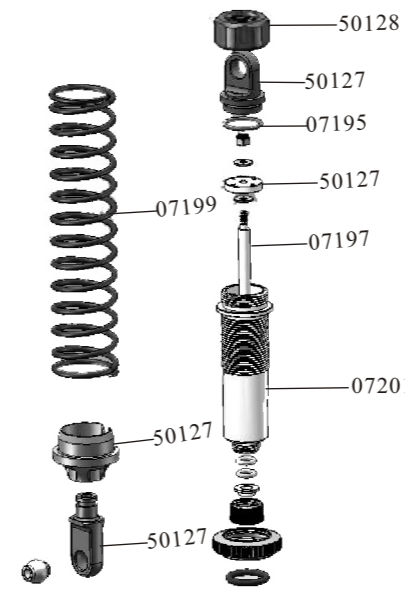
Spare Part

07178-Second Way Gear Washer $\phi 4.2 \times 10 \times 1.0mm$	50076-First Way Gear Washer $\phi 8 \times 15 \times 1.5mm$	50078-Servo Washers $\phi 3 \times 8 \times 0.8mm$	07151-Front Sus. Arm Ball (AL.) Length:12mm	07152-Shock lower Ball (AL.) Length:10mm
07153-Shock Upper Ball (AL.)	50114-Servo Link Ball $\phi 8mm$	02102-Nuts(M3) (54031)	02055-Nuts(M4) (50079)	50080-Nuts(M5)
50081-Nuts(M6)	07204-Nuts(M10)	50111-Hex Head Grub Screw(5*10) 4P	50107-Hex Head Grub Screw(6*6) 8P	50108-Hex Head Grub Screw(5*5) 8P
02099-Hex Head Grub Screw(4*4) 10P (50109)	50110-Hex Head Grub Screw(3*3) 8P	50202-Column Head Hex.Self-tapping Screw (3*16) 12P	07176-Column Head Hex.Self-tapping Screw (4*16) 12P	50097-Column Head Mechanical Screw(5*35) 6P
50099-Column Head Mechanical Screw(6*40) 4P	07182-Countersunk Mechanical Screw(5*22) 4P	07168-Countersunk Mechanical Screw (4*8) 12P	50084-Countersunk Mechanical Screw(4*12) 12P	50085-Countersunk Mechanical Screw(4*16) 12P
50086-Countersunk Mechanical Screw(4*20) 8P	50087-Countersunk Mechanical Screw(4*25) 8P	50088-Countersunk Mechanical Screw (5*12) 12P	50089-Countersunk Mechanical Screw(5*15) 12P	50092-Countersunk Mechanical Screw(5*25) 4P
50104-Cap Head Mechanical Screw(4*25) 4P	50105-Cap Head Mechanical Screw(4*30) 4P	50106-Cap Head Mechanical Screw(5*15) 10P	50100-Cap Head Mechanical Screw(3*10) 8P	07169-Cap Head Mechanical Screw(4*12) 8P

07102-Front Shock Absorber Exploded View(Short)

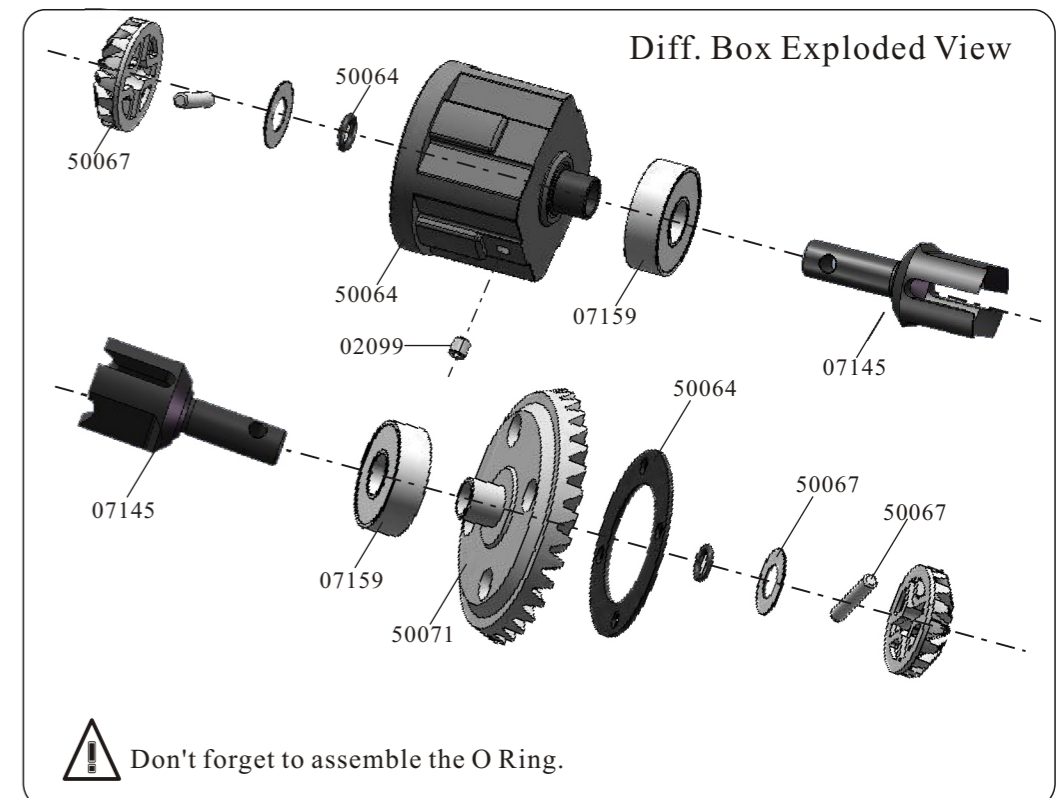


07103-Rear Shock Absorber Exploded View(Long)



07195-O-Ring	07196-Front Shock Main Axle+Nut M3+Pads(80mm)	07197-Rear Shock Main Axle+Nut M3 +Pads (85mm)	07198-Front Shock Spring (Short)
07199-Rear Shock Spring (Long)	07200-Front Shock Body	07201-Rear Shock Body	50127-Shock Plastic Parts
50128-Shock Absorber Cap+ Ball Mount			

Diff. Box Exploded View



Diff.Gear Assembly

